

# PANOPLAST®

Screw for plastic

With a 40° thread profile and point end, the Panoplast screw is a good compromise between Plastite® and PT® screws.

## Main Properties

- Suitable for a wide range of plastics
- Provides maximum resistance to vibration loosening
- Can be removed and tightened in the same hole without performance loss

## Features

40° thread profile:

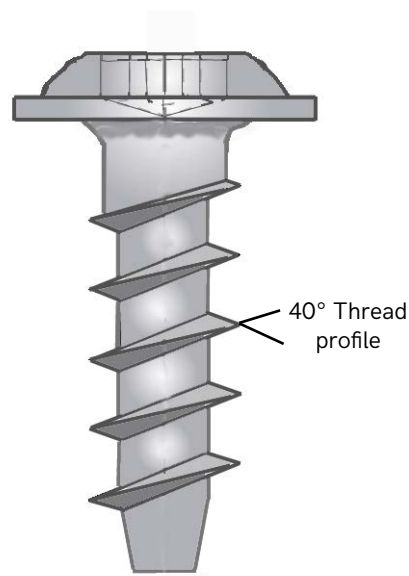
- Good compromise between 30° and 60° thread profiles
- Resists to vibration loosening

Body with round section evenly distributes surface contact between counterpart and screw:

- Improves the clamp force installation
- Reduces local stresses in the boss
- Compatible with a wide range of plastics

Point end:

- Accepts misalignment between parts to fasten



## Specifications

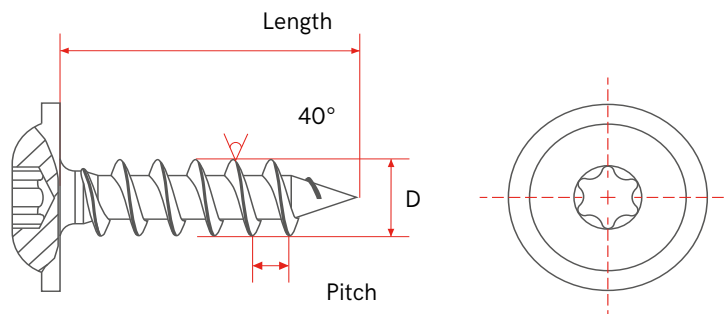
- Sizes:  $\varnothing$  3 to 6 mm; other sizes may be available upon request
- Head Styles: Can be used with any external or internal designs (Pan, hexagonal, round, flanged, etc.).
- Drive System: Can use any system.
- Finish: As required.
- Applications: Thermoplastics with a flexural modulus up to 5800 N/mm<sup>2</sup>

# PANOPLAST®

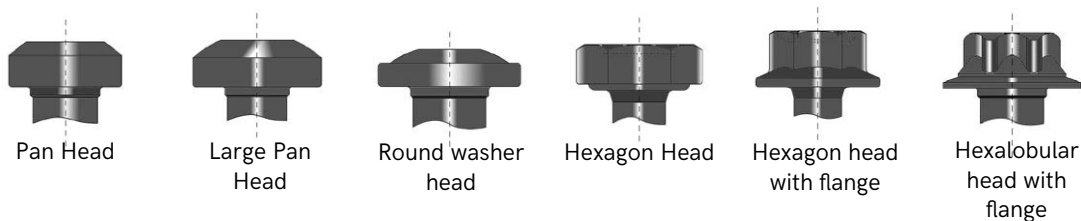
## Screw for plastic

### Technical data sheet

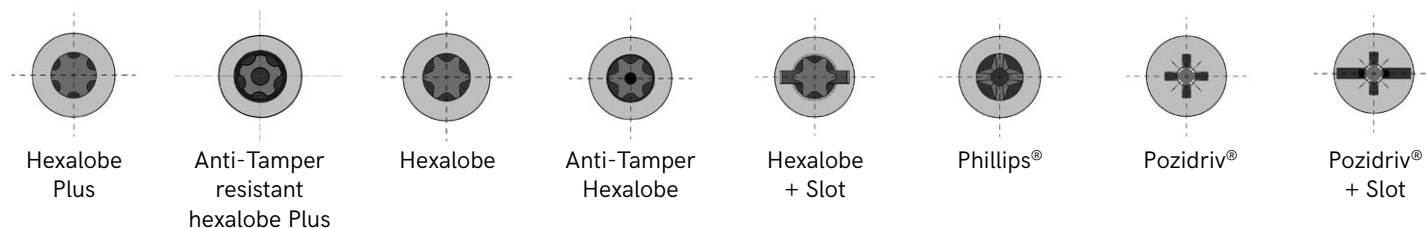
Material : Case hardened steel  
 Surface hardness: 450-650 HV0.3  
 Core hardness: 270 to 390 HV10



### Head shapes



### Socket type



Dia nom.	3.0	3.5	4.0	4.5	5.0	6.0
D	2.80 - 3.00	3.30 - 3.50	3.80 - 4.00	4.30 - 4.50	4.80 - 5.00	5.80 - 6.00
Pitch	1.40	1.60	1.80	2.10	2.30	2.70
Length						
4 +0.5/-1						
6 +0.5/-1						
8 +0.5/-1						
10 +0.5/-1						
12 +0.5/-1						
16 +0.5/-1						
18 +0.5/-1						
20 +0.5/-1						
25 +0.5/-1						
30 +0.5/-1						
35 +0.5/-1						
40 +0.5/-1						
45 +0.5/-1						
50 +0.5/-1						
60 +0.5/-1						
70 +0.5/-1						

Values in mm